

Cut List: 2" x 3/4" stock

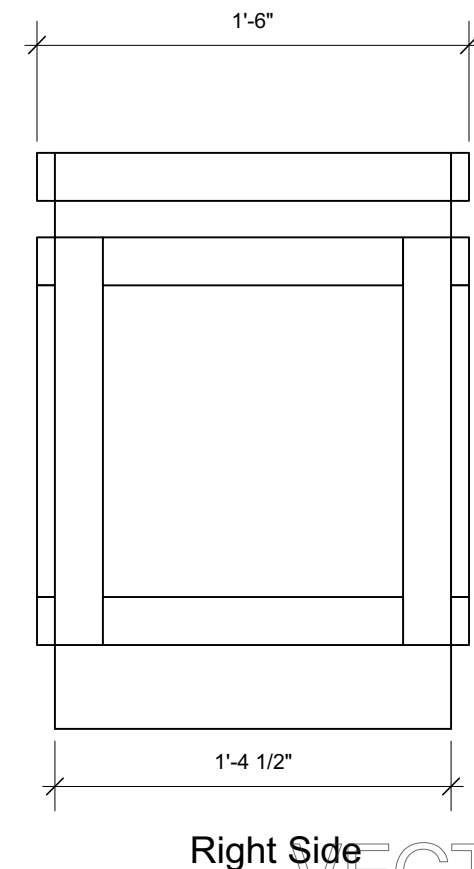
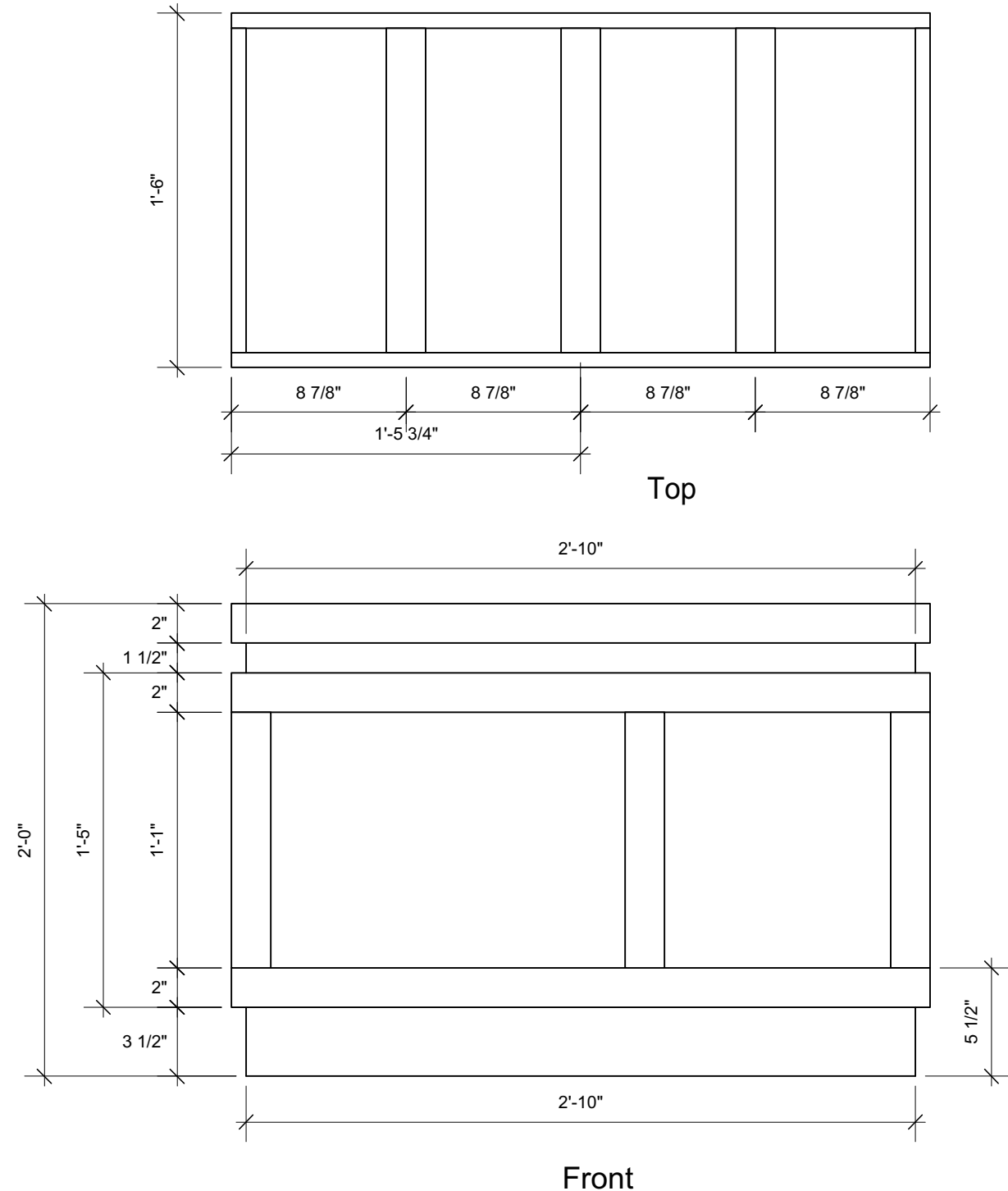
Top:
2 @ 2'11 1/2"
5 @ 1'4 1/2"

Side:
4 @ 1'0 1/2"
4 @ 1'5"

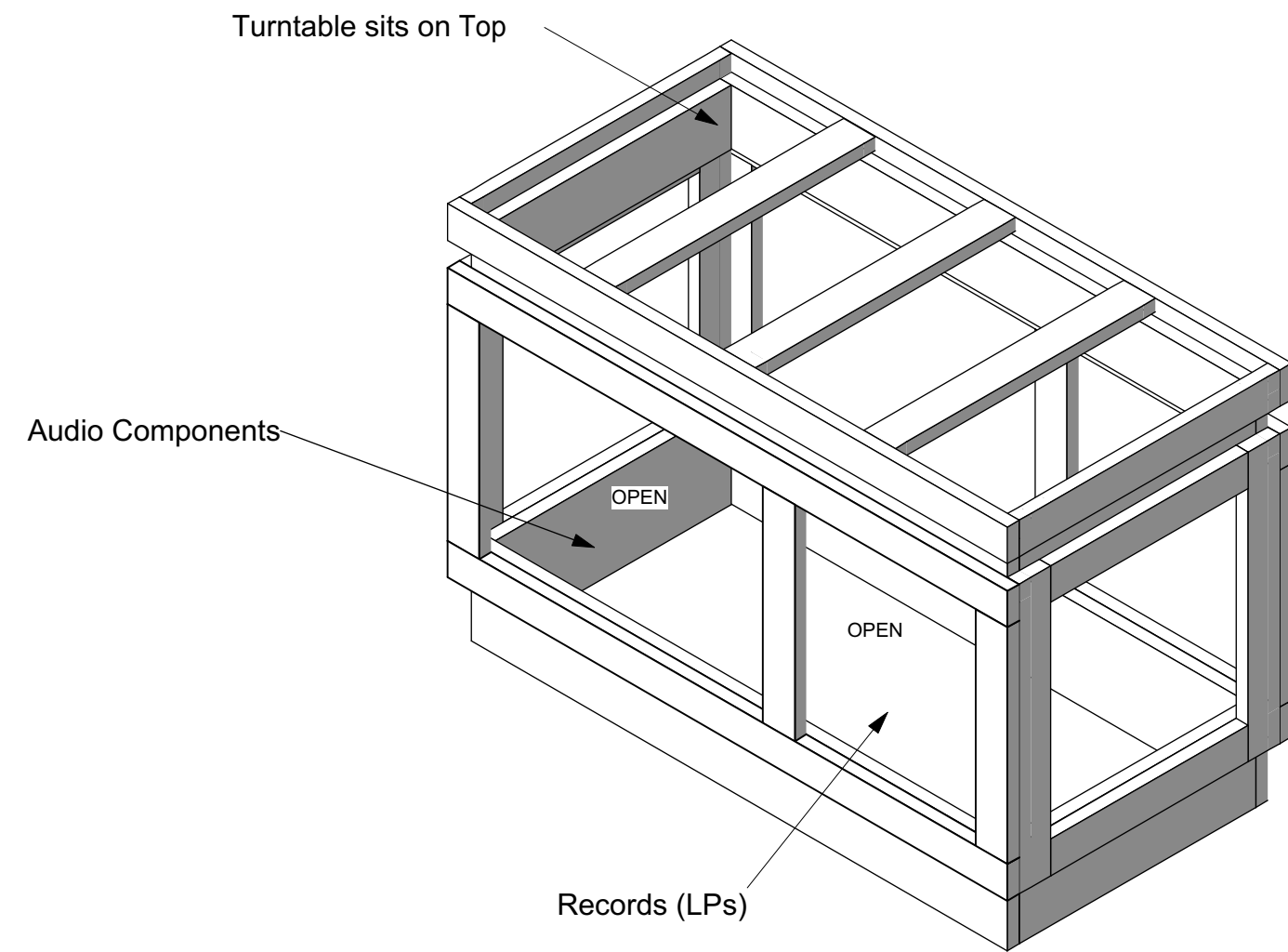
Front:
4 @ 2'11 1/2"
6 @ 1'1"

Spacer (3.5" x 3/4" stock)
2 @ 2'10"
2 @ 1'3"

Base (5 1/2" x 3/4" stock)
2 @ 2'10"
2 @ 1'3"



| |
|---|
| August Osage County St. Olaf College Theater |
| Stereo Cabinet |
| March 17, 2017 |
| scale: 1 1/2" = 1'-0" |
| B. Bjorklund |



Cover Top, Front and Side Frames with 1/8" Masonite after assembly.

Flush trim with router

Back and sides are closed

| |
|---|
| August Osage County St. Olaf College Theater |
| Stereo Cabinet |
| March 17, 2017 |
| scale: 1 1/2" = 1'-0" |
| B. Bjorklund |